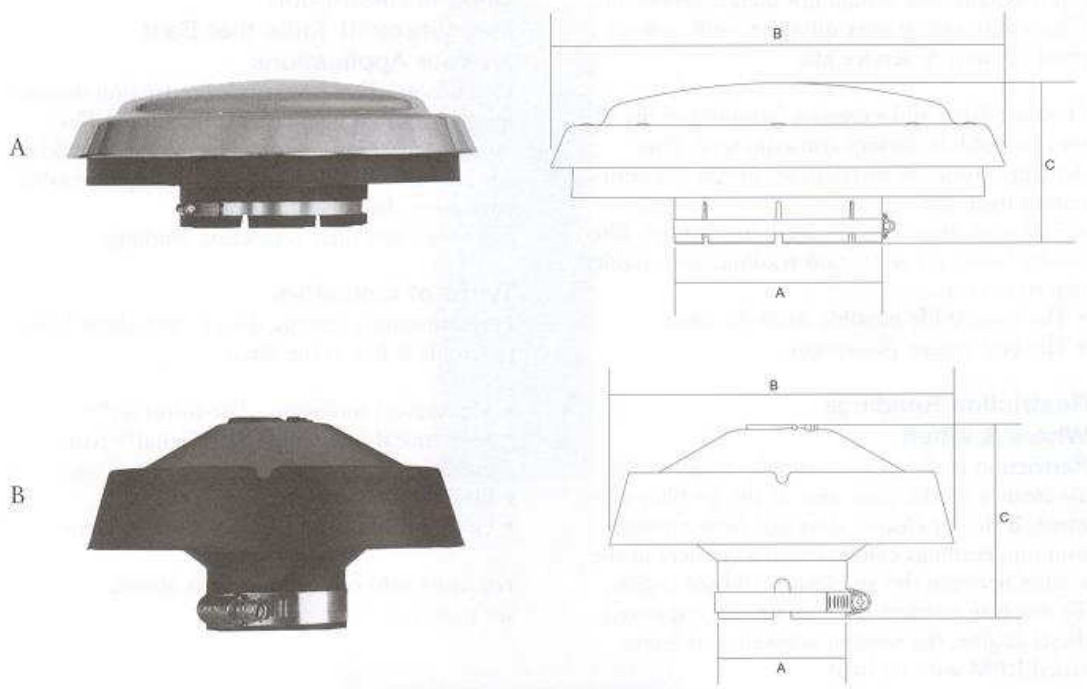




### Air System Accessories: Rain Caps

Rain Caps protect against large debris ingestion and are easily installed using a single clamp which is included.



PART NUMBER	A	B	C	TYPE
H770066	45	110	56	A
H001377	52	152	86	B
H001378	64	152	86	B
H001379	77	152	86	B
H770010	96	266	132	B
H770081	95.5	200	140	B
H770011	102	266	130	B
H770012	115	266	126	B
H770013	128	266	123	B
H770090	154	405	144	B
H770089	179	405	144	B
H001053	207	405	157	A
H770082	254	406	189	A



Air System Accessories: Vacuator Valves



PART NO.	DIAMETER	DUROMETER	AIR CLEANERS USED ON
P103198	76	40	FRG 10", 12", 14" & 16" FHG 10", 12", 14" & 16" FWG 4"-16"/FWA 5"-16"/SRG
P105220	76	60	FRG 18"/FHG08/FVG160587/FTG FHG 6"-8"/HIGH PULSATION MODELS
P106593	76	60	
P112803	76	40	FHG 6"-8"/SBG 14"-16" SDG/STG 12"-16"
P149099	25	60	ERA/EBA/EBB/ECG
P158914	51	50	FPG 6" & 8"/FRG 11"/FHG 5"/FWG FWA/IN-LINE WATER SEPARATORS & MOISTURE SKIMMERS
P522958	51	60	FPG 4"-5"/FHG
P525956	25	60	EPG 11", 13" & 15"
P775569	51	60	FPG 4", 5", 6" & 8"/FRG 10" & 13"
P776008	51	60	FRG10", 13" & 15"



## Air System Accessories: Plastic Mounting Bands



### 4" & 5" MOUNTING BANDS FOR FPG AIR CLEANERS

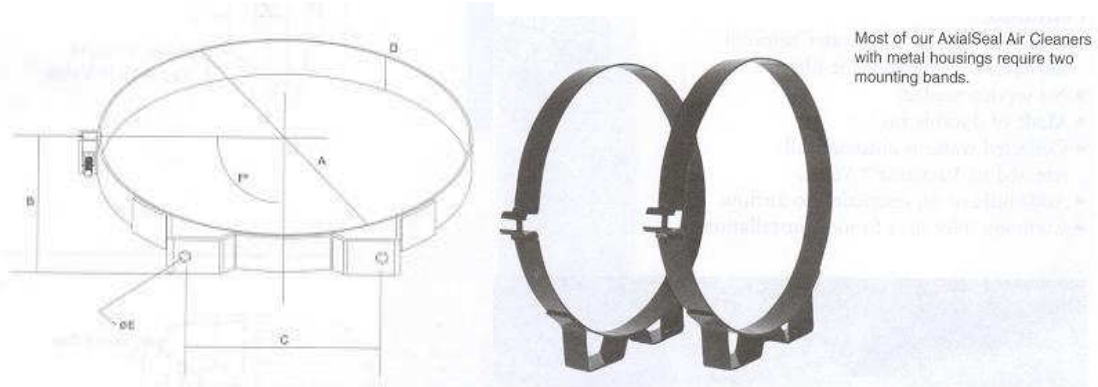
PART NO.	DIAMETER	DIMENSIONS (MM)				
		A	B	C	D	E
P777151	4"	122	79	116	40	9
P777730	5"	146	90	136	50.5	9

### 6", 7", 8", 9" & 10" Mounting Bands for FPG Air cleaners with springloaded screws

PART NO.	DIAMETER	DIMENSIONS				
		A	B	C	D	E
P778810	6"	171.5	99.5	153.5	50.5	9
P77891	6"	171.5	99.5	90	50.5	9
P781831	6"	171.5	99.5	93	50.5	9
P777731	7"	182	104.5	163	50.5	9
P777732	8"	211.5	19.5	190	50.5	9
P780580	8"	211.5	119.5	110	50.5	9
P780378	8"	212	19.5	110	85	9
P780532	9"	241	136	143	50.5	9
P780594	10"	268	149.5	143	80	11



## Air System Accessories: Metal Mounting Bands

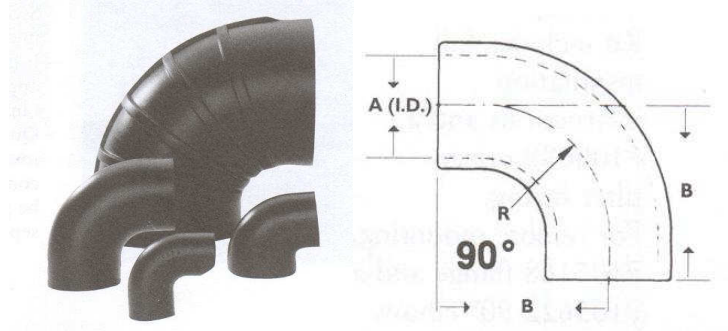


PART NO.	DIMENSIONS (MM)					
	A	B	C	D	E	F
P004055	111	68	82.5	19	9	90
P002348	134	81	82	22	9	90
P002351	153	91	83	26	9	90
P007191	165	99	95	2	10.5 X 15.5	90
P004906	178	105	111	22	10 X 13	90
E500206	203	114	108	25	12 X 17	90
P004307	203	114	108	25	9	90
P004073	223	130	14	32	11.5	90
P004076	259	146	127	32	11.5	90
H770025*	259	146	127	32	11.5	90
P004079	279	156	127	32	11	90
H000349	300	175	152	38	10.5	90
P013722	330	184	152	38	10	90
H770065	330	206	203	38	12	90
H770059	345	191.5	142	38	10	90
H000350	356	206	203	38	12	90
P016845	381	203	203	38	12	90
H000351	407	231	254	38	12	90
H770037	457	234	400	50	14	105
H770068	546	279	490	48	14	105

\* With Cage nut



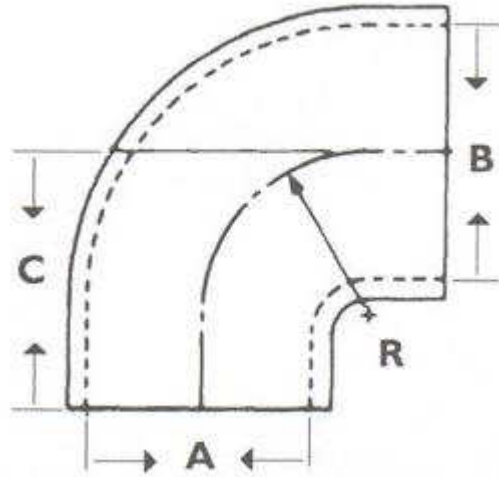
Air System Accessories: Rubber Elbows (90 Degrees)



Part Number	Dimension (mm)			Outer Dia mm
	A	B	R	
P781509	45,0	80	51	51,0
P105529	50,0	89,0	51,0	61,0
P105530	57,0	95,0	57,0	66,5
P105531	63,0	101,5	63,5	76,3
P105532	76,0	127,0	82,5	89,0
P114318	89,0	140,0	102,0	101,7
P105533	102,0	146,0	105,0	113,5
P113733	114,0	140,0	89,0	127,0
P107844	127,0	156,0	115,0	139,8
P105534	140,0	165,0	120,5	152,5
P105535	152,0	171,0	127,0	165,2
P105536	178,0	192,0	141,0	193,6
P112605	203,0	216,0	165,0	222,5
P114314	254,0	267,0	216,0	273,0



Air System Accessories: Reducing Elbows (90 Degrees)



Part Number	Dimension (mm)				Outer Dia mm
	A	B	C	R	
P781510	40,0	45,0	80	45,0	46 - 51
P778565	76,0	60,0	65	70,0	71 - 87
P775228	76,0	70,0	113	60,0	82 - 88
P123462	76,0	89,0	88,9	57,0	88,9 - 101,6
P121482	127,0	101,6	146	95,0	114,4 - 139,8
P143895	152,4	127,0	177,7	108,0	139,6 - 165,0
P159820	178,0	127,0	177,8	108,0	139,6 - 190,4
P128990	178,0	140,0	146	111,0	155,5 - 193,5
P117724	152,4	140,0	170,2	127,0	152,3 - 165,0