

# Sterling Filtration Limited

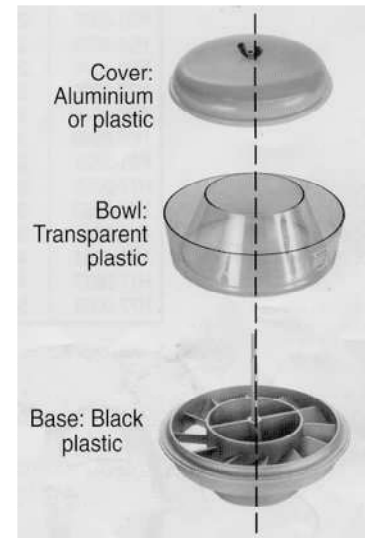
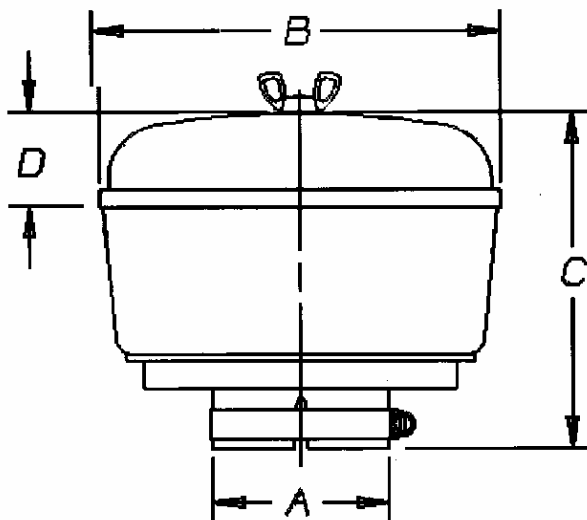
Unit 3 Meadwood Industrial Estate  
Bath Street Bilston  
West Midlands WV14 0ST

Tel: 01902 491118  
Fax: 01902 491119



FILTRATION PRODUCTS FOR  
COMMERCIAL VEHICLES, HEAVY  
PLANT, AGRICULTURAL EQUIPMENT  
& INDUSTRIAL MACHINERY

## FULL VIEW PRECLEANERS



Entire F.V. Pre-cleaner	Replacement Parts			Max airflow m <sup>3</sup> /min	Inlet (OD)							
					A		B		C		D	
	Cover	Bowl	Clamp		in	mm	in	mm	in	mm	in	mm
H00-2041	P02-0116	P02-0115	P53-2924	2.0	1.38	35	5.59	142	4.75	121	1.72	44
H00-2042	P02-0116	P02-0115	P11-5200	2.3	1.75	44	5.59	142	4.75	121	1.72	44
H00-2040	P02-0116	P02-0115	P11-5200	2.5	2.00	51	5.59	142	4.75	121	1.72	44
H00-1250	P02-0648	P02-0227	P11-5201	3.7	2.25	57	7.34	186	6.19	157	1.72	44
H00-1251	P02-0227	P02-0227	P11-5201	4.2	*2.50	64	7.34	186	6.19	157	1.72	44
H00-1249	P02-0648	P02-0227	P14-0227	4.8	3.00	76	7.34	186	6.19	157	1.72	44
H00-0820	P01-6548	P01-6330	P14-3422	9.1	**3.00	76	10.63	270	7.66	195	1.84	47
H00-0821	P01-6548	P01-6330	P11-5202	9.3	3.75	95	10.63	270	7.66	195	1.84	47
H00-0823	P01-6548	P01-6330	P11-5203	9.6	*4.50	114	10.63	270	7.66	195	1.84	47
H00-2043	P20-0345	P02-0344	P11-5203	21.0	5.00	127	12.06	306	7.69	195	2.00	51
H00-2223	P10-4691	P15-8324	N/A	36.8	*6.00	152	16.25	413	10.00	254	2.81	71
H00-2224	P10-4691	P15-8324	N/A	42.5	7.00	178	16.25	413	10.00	254	2.81	71

\* May be used with the pre-screener

\*\* Heavy Duty Options